

# A-HS30B

## B-Mount Hot swap Plate



### Instruction Manual



Thank you for purchasing the A-HS30B B-Mount Hot swap Plate. Prior to using the A-HS30B, we strongly recommend reading this Instruction Manual on how to best use the A-HS30B. Please keep this manual for your reference. If you have any additional questions, please contact your local IDX office listed at the end of this manual.

#### ⚠ Important

- This product contains a built-in battery, please charge it as soon as possible after purchase.
- It is not charged even if attach this product to B-Mount battery charger. It is charged by putting on 8pinDC input or IDX B-Mount battery.
- Do not use this product in series or in parallel connection. It may cause significant damage to the product and any equipment connected to.
- Please remove the cable after using the D-Tap, 2pinDC, USB-A.

#### Caution for safety use

Improper handling of this product may result in smoke, heat, fire, explosion or leakage as well as cause performance degradation or failure. Please be sure to observe the following precautions.

##### ⚠ DANGER

###### May cause sudden serious injury and death.

- Do not charge this product other than as described in the instruction manual.
- Use with professional video cameras or other video equipment. Please contact IDX for more information.
- Do not short the contact pins with any metal object. Do not carry or store with metal equipment.
- Do not expose to heat and never throw the battery in a fire.
- Do not immerse in water. Keep the battery dry and away from excessively dry or humid environments.
- Do not leave this product exposed to excessive heat such as in a car or directly under the sun light. Do not use outside of specified temperature ranges.
- Do not solder on the contact pins directly.
- Do not attempt to open the outer casing or break apart this product.
- Do not subject the unit to extreme physical impact or pressure, or place any object across the terminals that could cause it to short.
- Do not pierce or drill into the outer casing of the unit.
- Do not attempt to use this product if damaged.
- Do not use this product in a corrosive environment. Damages occur from salt water, seawater, acid, alkali, corrosive gas, etc.
- Risk of explosion if battery cells in this product are replaced by an incorrect type.

##### ⚠ WARNING

###### May cause serious injury and death.

- Please note that the outside casing becomes hot when this product is discharged in high temperatures or with high loads.
- Stop charging immediately if this product fails to charge within the designated time. Refer to charger manuals for charge times.
- Do not use if this product displays unusual characteristics (odd odor, discoloration, etc.) when in use, during charge or in storage.
- Keep away from fire if this product leaks fluid or has an unusual smell.
- In case of leakage immediately wash your hands and face thoroughly with clean water and contact your IDX representative for further instructions.
- Immediately seek medical attention if this product fluid gets into contact with your eyes.

##### ⚠ CAUTION

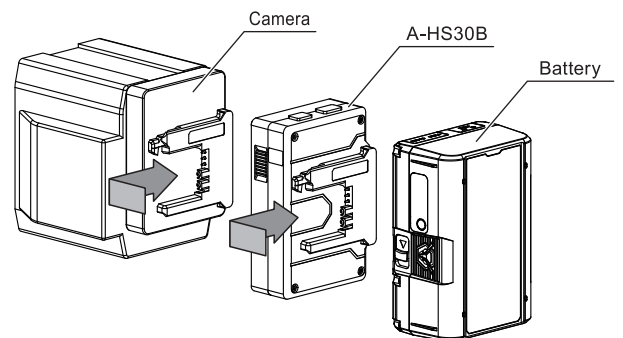
###### May cause injury or damage other equipment.

- Follow instructions on charging and discharging.
- Store in cool and dry conditions.
- During long periods of inactivity, please remove this product from the equipment.
- Do not use, store or place this product in an electrostatic area.
- Always keep the connectors clean.
- Do not carry/ store while battery attached.

#### Features

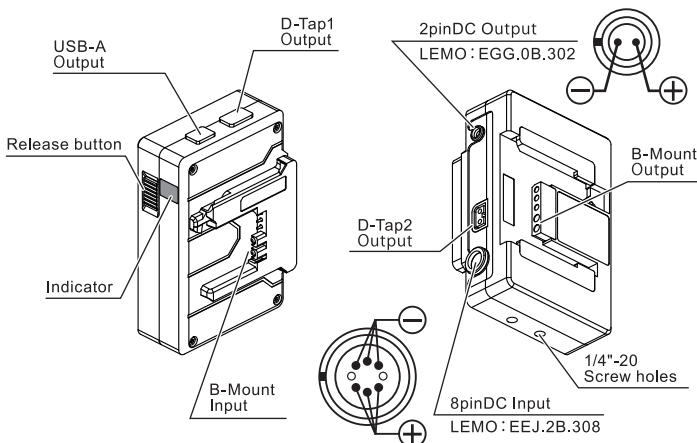
- This product is a hot-swappable plate compatible with B-Mount.
- You can use various power outputs selecting the higher voltage between B-Mount and 8pinDC inputs.
- Equipped with B-mount input, B-mount output, D-Tap ×2, 2pinDC, and USB-A.
- This product includes a built-in lithium-ion battery and features a hot-swappable function that allows you to replace B-Mount batteries without turning off the camera power.
- An indicator display is on the side of the unit, showing a 120-second countdown during changing the battery, allows you to check the remaining time.
- When charging, the display counts up and the built-in battery is fully charged at 120.
- If the IDX B-Mount battery is attached to this product while this product is attached to the camera, the built-in battery can be charged while supplying power to the camera.
- 8-pin DC input terminal, which can be used to supply 22-33.6 V power to the camera while charging the built-in battery.

#### Operating Instructions



- This product can be used between the camera and the battery to change the battery without switching off the camera.
  - The product can continue to supply power for up to 120 seconds (2 minutes) while the battery is removed.
  - An indicator display is on the side of the unit allows you to check the remaining time. Additionally, this product is equipped with an 8pinDC input terminal, which can be used to supply power instead of battery.
- \*The higher voltage between the B-Mount and the 8pinDC input will be used. DC input is not prioritized.

#### Location and Function of Parts



## Specification

Input (charge) terminal	B-Mount		
	8pinDC		
Output (Maximum rate)	B-Mount through the input terminal: DC22~33.6V built-in battery : DC28V		Total 70W 5A
	D-Tap × 2: DC14V 5A	Total 200W	
	2pinDC: DC14V 5A		
	USB-A: DC5V 2A		
built-in battery Capacity	3.0Ah		
	33Wh		
built-in battery Nominal Voltage	DC10.8V		
Ambient temperature	Charge: 0~40°C [10~30°C recommended]		
	Discharge: -20~45°C [10~40°C recommended]		
	Storage: -20~50°C [less than 1 month]		
Dimensions	mm	93(W)×143(H)×50.2(D)	
	Inches	3.661(W)×5.629(H)×1.472(D)	
Weight	g	approx, 750	
	lbs	approx, 1.653	

## Indicator Display

- This product is equipped with an indicator display, showing remaining time for changing the battery.
- During charging, the numerical value counts up, and when it reaches 120, the built-in battery is fully charged.
- If neither the battery input nor the 8pinDC input is detected for approximately 120 seconds, the indicator will turn off, and the output will be disabled.



## Protection Circuitry

- There are four types of protection circuit to ensure the product is protected from Over-charge, Over-discharge, Over-current and Thermal protection. If the fuse is blown, the product is no longer operable. If the countdown reaches 0 seconds before this product shuts down, the protection circuit may be activated. Remove and reattach the plate to reset it.

### ⚠ CAUTION

- This product is equipped with a temperature protection function, which may be activated depending on the temperature.

## D-Tap

- D-Tap power output terminal available. The maximum power output is 70W(DC14V/5A).
- D-Tap output can be used for IDX portable lights and monitors.
- D-Tap is only for 14V output. Do not apply voltage from the outside.

⚠ CAUTION Please make sure to check the ⊕ ⊖ polarity of D-Tap connector prior to plug-in.



Please confirm the shape of connector and ⊕ ⊖ polarity of plug side prior to connect with receptacle. Please do not force it when felt it is difficult.

## 2pinDC

- 2pinDC power output terminal available. The maximum power output is 70W(DC14V/5A).
- 2pinDC is only for 14V output. Do not apply voltage from the outside.

## USB-A

- USB-A connector for power supply(DC5V / 2A).
- USB-A connector is A-Type(USB Cable should be A type as well).
- This terminal does not provide data, only power.
- USB-A is only for 5V output. Do not apply voltage from the outside.

## Communication Function

- This product passes through the communication from the attached battery to the B-Mount connected device.
- This battery has SMBus communication, and the remaining capacity can be displayed on the connected device such as a camera.  
\*When used alone, SMBus communication is not available, and the remaining capacity cannot be displayed.

## Discharging

- The maximum discharge power for each of the B-Mount connector, D-Tap, 2pinDC, and USB-A is specified in the product specifications. Please be mindful of the power consumption of connected devices. If the maximum discharge power is exceeded, the safety protection circuit may activate, stopping power output. Additionally, it may cause significant performance degradation.
- If neither the battery input nor the 8pinDC input is detected for approximately 120 seconds, the indicator will turn off, and the output will be turned off.
- This product life may diminish if high loads are applied frequently.
- This product run-time may reduce when used in extreme high and low temperatures. IDX highly recommends to use this product in ambient temperatures of 50~104°F ( 10°C~40°C )
- Microwave transmitters with 5W outputs or more should be kept as far away from this product as possible. High power transmitters may disrupt or stop supplying power.
- Please be sure to remove this product from the device after use. If this product is left mounted on the device that has large standby power, this product's residual capacity will become lower and the over-discharge protection may be activated.
- Do not use this product in series or in parallel connection. It may cause significant damage to this product and any equipment connected to.

## Charging

- Charge this plate using either IDX B-Mount battery or by supplying 22~33.6V power to the 8pinDC input terminal.
- During charging, the indicator will display a count-up, and the built-in battery for hot swapping will be fully charged when it reaches 120.
- Charging time varies depending on the usage conditions of the hot-swap function.
- The ambient temperature range for charging is 32~104°F ( 0~40°C ); however, 50~86°F ( 10~30°C ) is recommended for optimizing the charging performance.
- When this product is charged in temperatures 32°F ( 0°C ) or below, it may not fully charge, even if the designated charge time has elapsed.
- Charging outside of the recommended temperature range can accelerate cell deterioration.

### ⚠ CAUTION

- This product(built-in battery) cannot be charged if the internal temperature is low/ high for safety reason. It is normal to have an internal temperature rise. If charging is started immediately after use, charging may not be possible. Wait for a certain period and then charge the product after the internal temperature of the battery becomes normal.

## Life cycle

- Life may vary depending on frequency of use, storage and operational temperature environment.
- Life will be reduced if frequently used with high load applications.
- Life is also reduced if stored in fully charged and/or empty conditions for extended periods.

## Storing

- Store in cool and dry conditions.
- Deterioration of battery performance will be accelerated when the battery stored in a high ambient temperature and/or stored for long period without used.
- Do not store or leave in temperatures of 122°F ( 50°C ) or above.
- For long-term storage exceeding six months, periodically charge the battery to prevent over-discharge.

## Battery recycle

This Li-ion battery can be recycled. Please follow the regulations in your country or contact your local IDX office for further details.

## Li-ion Battery Air transport Compliance

The Air transport regulations for the lithium-ion batteries will be revised regularly, so please check our website before transporting the battery.  
( <https://idxtek.com/li-ion-transportation/> )

## Compensation for recorded content

Recorded content cannot be compensated for if recording or playback is disabled due to a malfunction of the battery pack or other devices.

\* Design and specifications are subject to change without notice.

**Manufacturer** : **IDX Company, Ltd.** 6-28-11 Shukugawara, Tama-ku, Kawasaki-shi, Kanagawa-ken, 214-0021 Japan  
Tel : +81-44-850-8801 Fax : +81-44-850-8838 URL : <https://www.idx.tv/> E-mail : [idx.japan@idx.tv](mailto:idx.japan@idx.tv)

**Importer for UK** : **IDX Technology Europe, Ltd.** 933 Yeovil Road, Slough Trading Estate, Slough, Berkshire, SL1 4NH, England  
Tel : +44-1753-547692 Fax : +44-1753-546660 URL : <https://www.idx-europe.co.uk/> E-mail : [idx.europe@idx.tv](mailto:idx.europe@idx.tv)

**Importer for EU** : **IDX Technology Europe, Ltd. [German Branch]** Johannishöhe 19 Kottgeisering 82288, Germany  
Tel : +49-171-8632-661 URL : <https://www.idx-europe.co.uk/> E-mail : [idx.germany@idx.tv](mailto:idx.germany@idx.tv)

**Importer for USA** : **IDX System Technology, Inc.** 2377 Crenshaw Blvd, Suite 154, Torrance CA 90501 USA  
Tel : +1-310-328-2850 Fax : +1-310-328-8202 URL : <https://www.idxtek.com/> E-mail : [idx.usa@idx.tv](mailto:idx.usa@idx.tv)

202504  
APMK250012-1

