

BL-4SX

4ch B-Mount Quick Charger



Instruction Manual

Thank you for purchasing the BL-4SX. BL-4SX is a 4-channel simultaneous quick charger for B-Mount Lithium Ion batteries. Prior to using the charger, IDX recommends to read this Instruction Manual and keep this manual for future reference.

Caution for safety use

Please be sure to read the Instruction Manual and follow the instructions. Failure to follow the instructions may cause an electric shock, injury, fire or malfunction.

⚠ WARNING

May cause sudden serious injury and death

- Do not connect to an AC power source that exceeds the voltage specification stated on the unit.
- Use only with the compatible batteries listed in this manual.
- Do not short the contact pins with any metal object.
- Do not carry or store with metal equipment.
- Do not immerse in water.
- Do not attempt to open the outer casing or break apart.
- Do not subject the unit to extreme physical impact or pressure, or place any object across the terminals that could cause it to short.
- Do not attempt to use if damaged.
- Protect the power cord from any damage.
- When connecting a battery be sure to insert the battery into the battery socket or connector firmly.
- Do not use, put and storage the charger; near a steam and the place where has a possibility getting wet, with high humidity, dust and soot, in place which are expose to direct sunlight and extreme temperatures. Doing under these environments may cause damage, fire, electrical shock or other incidents.
- A short between positive terminal(+) and negative(-) may cause a fire, electrical shock or other incidents. Please make sure that the charging connector does not touch any metal parts when a battery is not attached.
- Please contact IDX or your local IDX representative for service and repairs.

⚠ CAUTION

May cause injury or damage other equipment

- The unit should be used under the conditions listed in this manual.
- Do not expose the unit to extremely high temperatures.
- Use the approved power cord / appliance connector / plug conforming to the proper ratings (voltage, ampere) and safety regulations of each country if applicable.
- Keep the unit away from excessively dry or humid environments.
- Do not cover the ventilation holes & Waste heat fan.
- Please do not carry while stacked
- Stop charging immediately if the charging does not complete within the designated time.
- In case of abnormal smell, leak, color change or case deformity during use, turn the power off and unplug the cable from the socket to avoid possible injury.
- This is a class A product in a domestic environment this product may cause radio interference in which case the user may be required to take adequate measures.

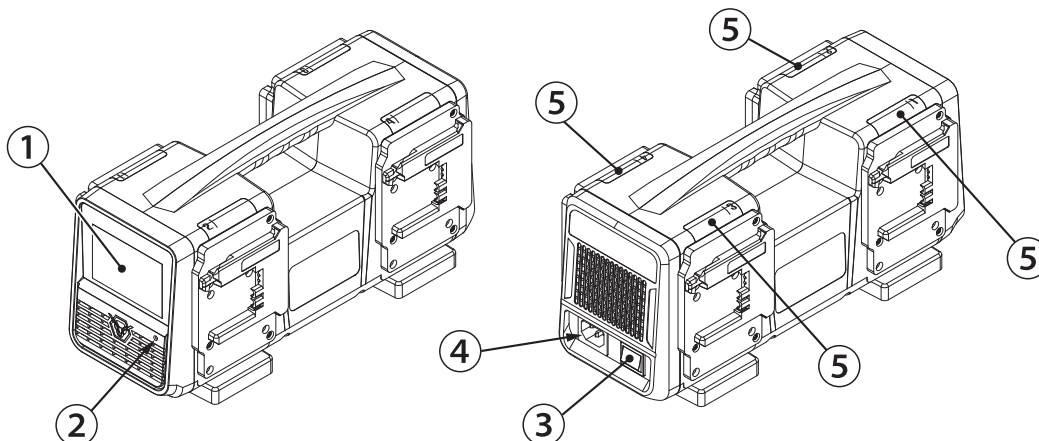
Features

- Universal AC input for world-wide use.
- 4ch simultaneous quick charging at 100W maximum per channel.
- The charging status of each channel is displayed in % and progress bars on the large LCD display on the front panel.
- The large LED on the top of the unit shows the charging status to be checked at a glance from a distance.
- Auto safety & protection features.

Specifications

- Recommended batteries : IDX B-Mount Lithium Ion batteries
- Input voltage : AC100V-240V 50 / 60Hz Automatic
- Power consumption : MAX 450VA
- Operating temperature : 0 ~40°C / 32~ 104°F
- Operating humidity : 20%~90% RH
- Charging method : Constant current / Constant voltage
- Charging output : 33.6V MAX 3A
- Dimensions : approx. 153 (W)×162 (H)×330 (D) mm
approx. 6.02 (W)×6.38 (H)×13 (D) inches
- Weight : Charger body approx. 2.43kg / 5.36 lbs
- Charge time standard :
For the latest charging time information, please visit our website
(<https://idxtek.com/charging-times/>)

Location and Function of Parts



- ① LCD Indicator
- ② Power LED
- ③ Power Switch
- ④ AC Inlet
- ⑤ Charge LED

Operating Instructions

- 1 : Insert the power cable to the charger AC inlet before plugging into an AC outlet.
 - 2 : Turn the Power switch on. (The power LED lights up and the LCD displays)
 - 3 : When the battery pack is mounted, a status LED will turn ON. (Charge LED is solid red)
If the condition of the battery is OK, charging will automatically start.
*Please mount the battery until the battery release button is firmly locked.
 - 4 : Charging will automatically stop when the battery is fully charged.
(Charge LED becomes solid green and the charging capacity shows 100% on the LCD display.)
 - 5 : When removing the battery, press and hold the release button then remove it straight sideways.
- * For your safety, Do not carry the charger while the power turned-on/ the battery is attached.

Charge LED Indicator

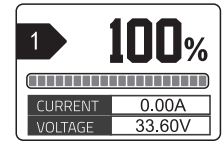
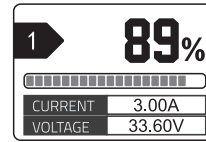
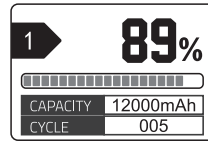
Indication		Status
Solid Red	●	0% ~ 80%
Flashing Green	⚡	81%~ 99%
Solid Green	●	100%
Flashing Red	⚡	Error

LCD display

●Standby



●Charging in progress



①The charger recognizes the battery connection, Preparing to charge

②Percentage of battery capacity, battery capacity (mAh) and cycle times

③Percentage of battery capacity, battery charging current and voltage

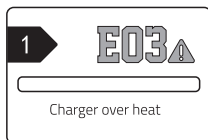
④Charging complete

●Battery over-temperature protection



When the battery over-heat protection is activated, the charger identifies the battery's temperature and starts charging again after the battery temperature has dropped.

●Error



Error Codes

E01	Battery recognition error	The battery may not be mounted properly. Please remount it and try again.
E02	Communication error	The battery may not be mounted properly. Please remount it and try again.
E03	Charger temperature error	Please check if the fan is working normally. If there is no problem, please move the charger to a cooler place.
E04	Charging error	Please re-mount the battery or wait until the battery temperature returns to normal and re-mount.
E05	Self check error	Please restart the charger.



* Design and specifications are subject to change without notice.

Manufacturer : IDX Company, Ltd. 6-28-11 Shukugawara, Tama-ku, Kawasaki-shi, Kanagawa-ken, 214-0021 Japan
 Tel : +81-44-850-8801 Fax : +81-44-850-8838 URL : <https://www.idx.tv/> E-mail : idx.japan@idx.tv
Importer for UK : IDX Technology Europe, Ltd. 933 Yeovil Road, Slough Trading Estate, Slough, Berkshire, SL1 4NH, England
 Tel : +44-1753-547692 Fax : +44-1753-546660 URL : <https://www.idx-europe.co.uk/> E-mail : idx.europe@idx.tv
Importer for EU : IDX Technology Europe, Ltd. [German Branch] Johannishohe 19 Kottgeisering 82288, Germany
 Tel : +49-171-8632-661 URL : <https://www.idx-europe.co.uk/> E-mail : idx.germany@idx.tv
Importer for USA : IDX System Technology, Inc. 2377 Crenshaw Blvd, Suite 154, Torrance CA 90501 USA
 Tel : +1-310-328-2850 Fax : +1-310-328-8202 URL : <https://www.idxtek.com/> E-mail : idx.usa@idx.tv

202412
C4MK240132-1

